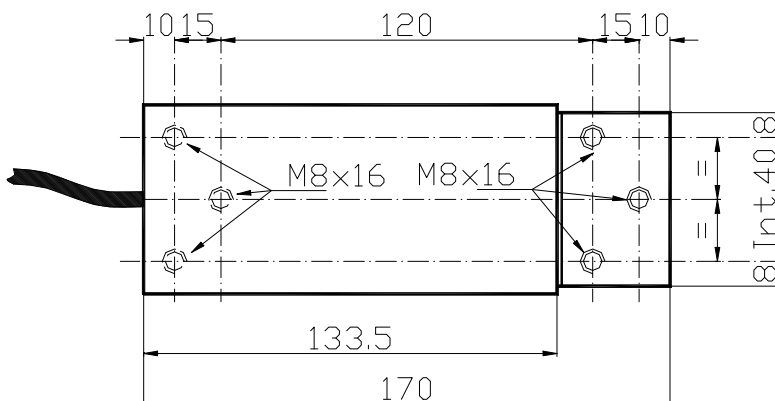
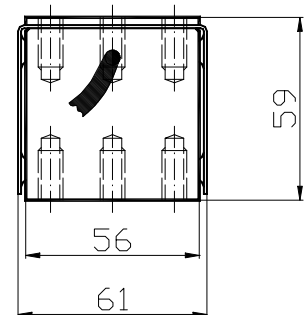
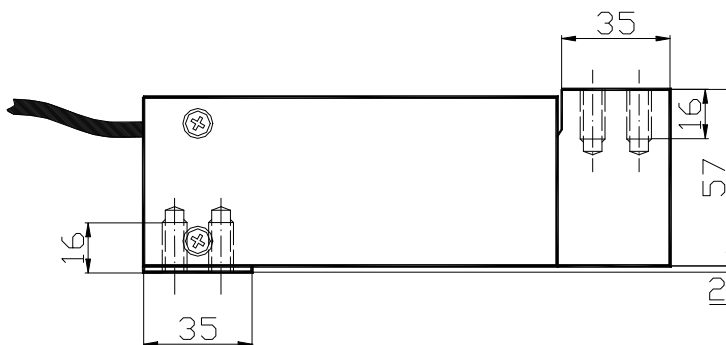




Capacity[Kg]	OIML
50	No
100	No
150	No

TECHNICAL CHARACTERISTICS	
Max plate dimension	600 x 600 mm
Rated output	2 mV/V
Rated output tolerance	$\leq \pm 10\%$
Maximum excitation	15 Vcc/15 Vdc
Zero balance	$\leq \pm 1\%$ f.s.
Input resistance	400 $\pm$ 25 ohm
Output resistance	350 $\pm$ 2 ohm
Insulation resistance	$\geq 5000$ Mohm
Combined error	$\leq \pm 0,025\%$ f.s.
Hysteresis	$\leq \pm 0,007\%$ f.s.
Creep 30'	$\leq \pm 0,0245\%$ f.s.
Temperature effect on zero balance	$\leq \pm 0,0018\%$ f.s./°C
Temperature effect on rated output	$\leq \pm 0,002\%$ f.s./°C
Compensated temperature range	-10 $\div$ +40 °C
Operating temperature range	-25 $\div$ +70 °C
Max safe load	150% f.s.
Breacking load	> 300% f.s.
Protection class	IP65
Material	Alluminium
Standard cable length	5 m



Wiring	
Red	+ Excitation
Blue	- Excitation
Yellow	+ Signal
Green	- Signal
White	+ Reference
Black	- Reference