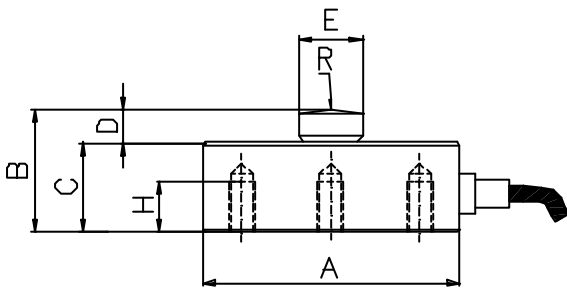


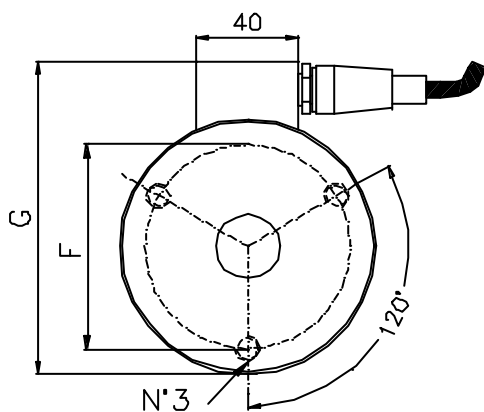


Capacity [Kg]	OIML
250	No
500	No
1000	No
2500	No
5000	No
7500	No
10000	No
20000	No
25000	No
35000	No
50000	No

TECHNICAL CHARACTERISTICS	
Rated output	2 mV/V
Rated output tolerance	$\leq \pm 0,1\%$
Max excitation	15 Vcc
Zero balance	$\leq \pm 1\%$ f.s.
Input resistance	750 ± 25 ohm
Output resistance	700 ± 2 ohm
Insulation resistance	≥ 2000 Mohm
Combined error	$\leq \pm 0,1\%$ f.s.
Hysteresis	$\leq \pm 0,03\%$ f.s.
Creep 30'	$\leq \pm 0,05\%$ f.s.
Temperature effect on zero balance	$\leq \pm 0,01\%$ f.s./°C
Temperature effect on rated output	$\leq \pm 0,005\%$ f.s./°C
Compensated temperature range	-10 ÷ +40 °C
Operating temperature range	-20 ÷ +70 °C
Max safe load	150% f.s.
Breaking load	> 300% f.s.
Protection class	IP68
Material	Stainless steel
Standard cable length	5 m



Capacity [T]	0,25-5	7,5- 20	25-35	50	
Dimensions [mm]	øA	82	100	114	124
	B	44	48	48	58
	C	30	35	35	45
	D	14	13	13	13
	øE	21,5	25	26	35
	øF	68	80	86	95
	G	104,5	122,5	136,5	146,5
	H	15	15	20	20
	N°3	M8x1,25	M10x1,5	M12x1,75	M12x1,75
	R	50	50	50	160



Wiring	
Red	+ Excitation
Blue	- Excitation
Yellow	+ Signal
Green	- Signal
White	+ Reference
Black	- Reference