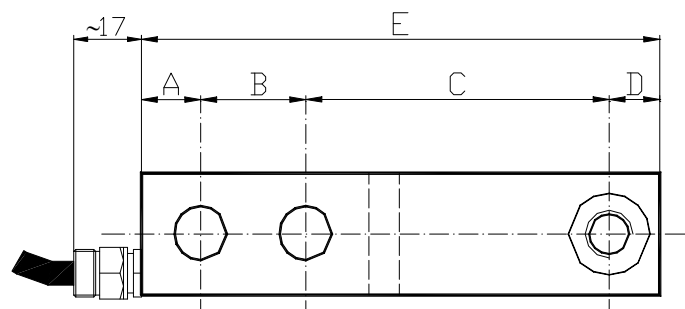
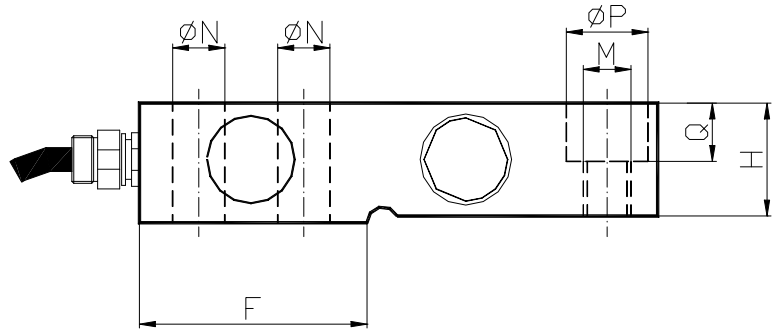
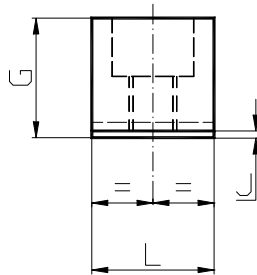




Capacity[Kg]	OIML
500	Yes
1000	Yes
1760	Yes
2500	Yes
5000	No
10000	No

TECHNICAL CHARACTERISTICS	
Rated output	2 mV/V
Rated output tolerance	$\leq \pm 0,1\%$
Max excitation	15 Vcc
Zero balance	$\leq \pm 1\%$ f.s.
Input resistance	$380 \pm 25$ ohm
Output resistance	$350 \pm 2$ ohm
Insulation resistance	$\geq 5000$ Mohm
Combined error	$\leq \pm 0,025\%$ f.s.
Hysteresis	$\leq \pm 0,007\%$ f.s.
Creep 30'	$\leq \pm 0,0245\%$ f.s.
Temperature effect on zero balance	$\leq \pm 0,0018\%$ f.s./°C
Temperature effect on rated output	$\leq \pm 0,002\%$ f.s./°C
Compensated temperature range	-10 ÷ +40 °C
Operating temperature range	-20 ÷ +70 °C
Max safe load	150% f.s.
Breaking load	> 300% f.s.
Protection class	IP68
Material	Stainless steel
Standard cable length	5 m
OIML R60 C3/C4 version	On request



Wiring	
Red	+ Excitation
Blue	- Excitation
Yellow	+ Signal
Green	- Signal
White	+ Reference
Black	- Reference

Capacity [Kg]	Dimensions [mm]													
	A	B	C	D	E	F	G	H	J	L	M	ØN	ØP	Q
500-1000-1760	14,9	26,4	76,2	12,7	130,2	57,15	30,15	28,45	1,7	30,7	M12x1,75	13	20,5	14,7
2500	19,05	38,1	95,25	19,1	171,5	76,2	36,5	34	2,5	36,8	M20x2,5	20	30,2	17
5000	19,05	38,1	95,25	19,1	171,5	76,2	42,9	40,4	2,5	42,9	M20x2,5	20	30,2	20,2
10000	25,4	82,6	139,7	31,7	279,4	144,7	65	61	4	58	Ø31,8	27	51,1	20,7