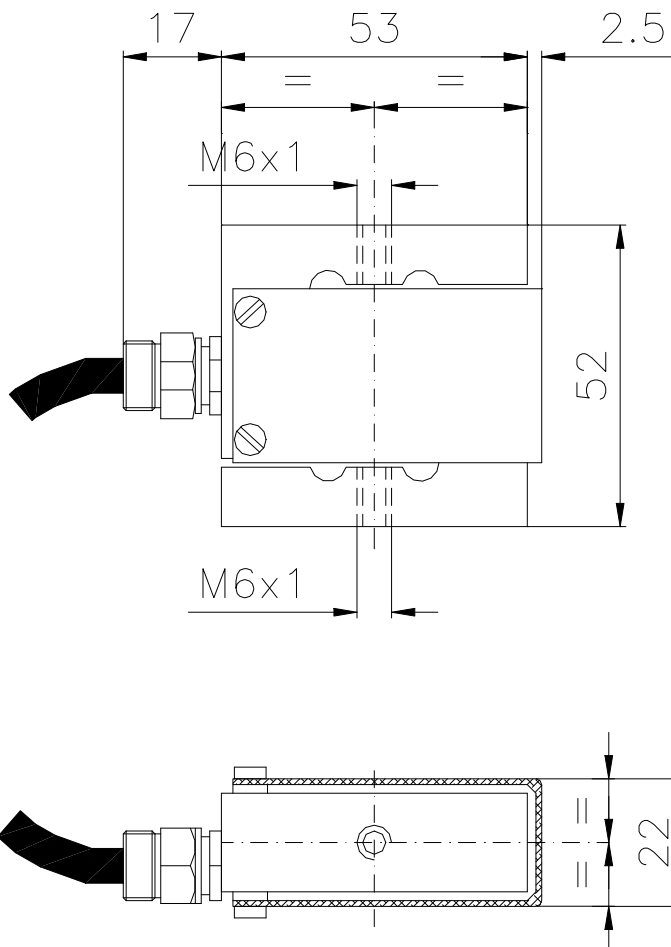


Capacity[Kg]	OIML
2	No
5	No
10	No
20	No
50	No

TECHNICAL CHARACTERISTICS	
Rated output	2 mV/V
Rated output tolerance	$\leq \pm 0,1\%$
Max excitation	15 Vcc
Zero balance	$\leq \pm 1\%$ f.s.
Input resistance	400 ± 25 ohm
Output resistance	350 ± 2 ohm
Insulation resistance	≥ 2000 Mohm
Combined error	$\leq \pm 0,04\%$ f.s.
Hysteresis	$\leq \pm 0,02\%$ f.s.
Creep 30'	$\leq \pm 0,05\%$ f.s.
Temperature effect on zero balance	$\leq \pm 0,005\%$ f.s./°C
Temperature effect on rated output	$\leq \pm 0,004\%$ f.s./°C
Compensated temperature range	$-10 \div +40$ °C
Operating temperature range	$-25 \div +70$ °C
Max safe load	150% f.s.
Breaking load	$> 300\%$ f.s.
Protection class	IP60
Material	Alluminium
Standard cable length	5 m



Wiring	
Red	+ Excitation
Blue	- Excitation
Yellow	+ Signal
Green	- Signal
White	+ Reference
Black	- Reference