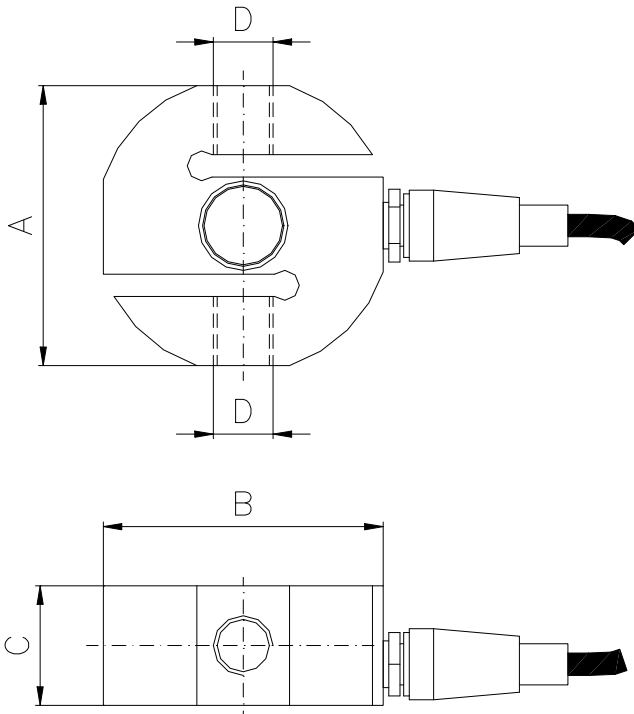




Capacity [Kg]	OIML
150	Yes
200	Yes
300	Yes
500	Yes
1000	Yes
2000	Yes
2500	Yes
3000	Yes
5000	Yes
7500	Yes
10000	Yes

TECHNICAL CHARACTERISTICS	
Rated output	2 mV/V
Rated output tolerance	$\leq \pm 0,1\%$
Max excitation	15 Vcc
Zero balance	$\leq \pm 1\%$ f.s.
Input resistance	400 ± 25 ohm
Output resistance	350 ± 2 ohm
Insulation resistance	≥ 2000 Mohm
Combined error	$\leq \pm 0,05\%$ f.s.
Hysteresis	$\leq \pm 0,02\%$ f.s.
Creep 30'	$\leq \pm 0,04\%$ f.s.
Temperature effect on zero balance	$\leq \pm 0,005\%$ f.s./°C
Temperature effect on rated output	$\leq \pm 0,004\%$ f.s./°C
Compensated temperature range	-10 ÷ +40 °C
Operating temperature range	-20 ÷ +70 °C
Max safe load	150% f.s.
Bracking load	> 300% f.s.
Protection class	IP67
Material	Stainless steel
Standard cable length	5 m
OIML R60 C3 version	On request (500 ÷ 10000 only)



Capacity [Kg]	Dimensions [mm]			
	A	B	C	D
150÷500	60	62	23	M12 x 1,75
500÷2500	75	75	32	M16 x 2
3000-5000	120	100	40	M24 x 2
7500-10000	163	167	50	M30 x 2

Wiring	
Red	+ Excitation
Blue	- Excitation
Yellow	+ Signal
Green	- Signal
White	+ Reference
Black	- Reference