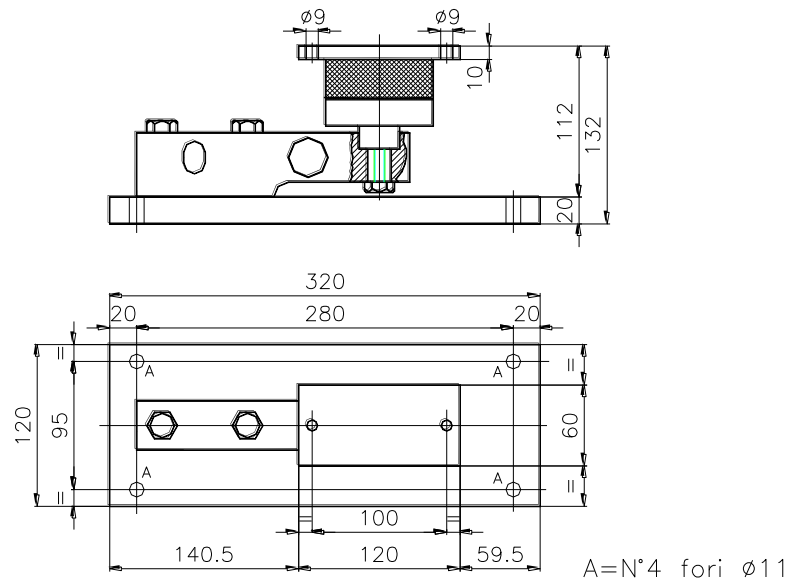


For shear beam load cell model FX
Material: stainless steel

Capacity: 1000 - 2000 - 3000



Capacity: 5000

