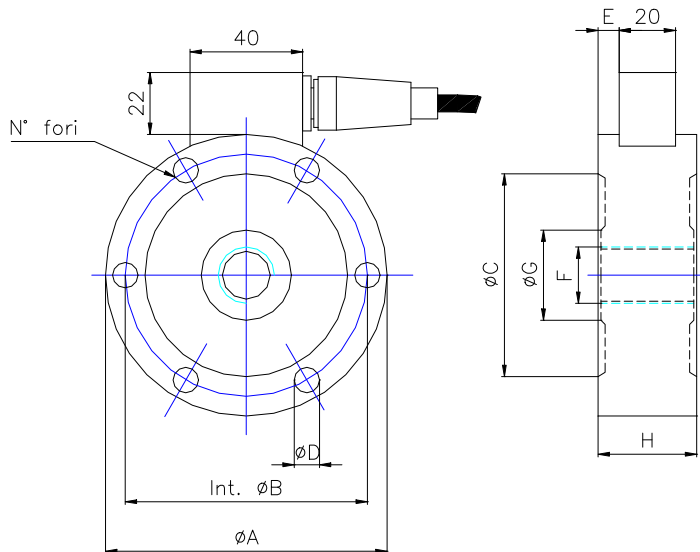




Capacity[Kg]	OIML
500	No
1000	No
2000	No
5000	No
10000	No
20000	No
30000	No
50000	No
60000	No

TECHNICAL CHARACTERISTICS	
Rated output	2 mV/V
Rated output tolerance	$\leq \pm 0,1\%$
Max excitation	15 Vcc
Zero balance	$\leq \pm 1\%$ f.s.
Input resistance	400 ± 25 ohm
Output resistance	350 ± 2 ohm
Insulation resistance	≥ 2000 Mohm
Combined error	$\leq \pm 0,04\%$ f.s.
Hysteresis	$\leq \pm 0,02\%$ f.s.
Creep 30'	$\leq \pm 0,03\%$ f.s.
Temperature effect on zero balance	$\leq \pm 0,003\%$ f.s./°C
Temperature effect on rated output	$\leq \pm 0,002\%$ f.s./°C
Compensated temperature range	-10 ÷ +40 °C
Operating temperature range	-20 ÷ +70 °C
Max safe load	150% f.s.
Breaking load	> 300% f.s.
Protection class	IP67
Material	Stainless steel
Standard cable length	5 m



Wiring	
Red	+ Excitation
Blue	- Excitation
Yellow	+ Signal
Green	- Signal
White	+ Reference
Black	- Reference

Capacity [kg]	Dimensions [mm]								
	A	B	C	D	E	F	G	H	N
500	100	86	72	9	3,5	M20x1,5	32	35	6
1000	100	86	72	9	3,5	M20x1,5	32	35	6
2000	100	86	72	9	3,5	M20x1,5	32	35	6
5000	127	110	92	11	3,5	M30x2	47	35	8
10000	127	110	92	11	3,5	M30x2	47	35	8
20000	165	138	108	13	5	M42x3	62	50	12
30000	165	138	108	13	5	M42x3	62	50	12
50000	165	138	108	13	5	M42x3	62	50	12
60000	165	138	108	13	5	M42x3	62	50	12